

MVR-624

24CH Hybrid Mobile Digital Video Recorder

www.vipro.com.tw

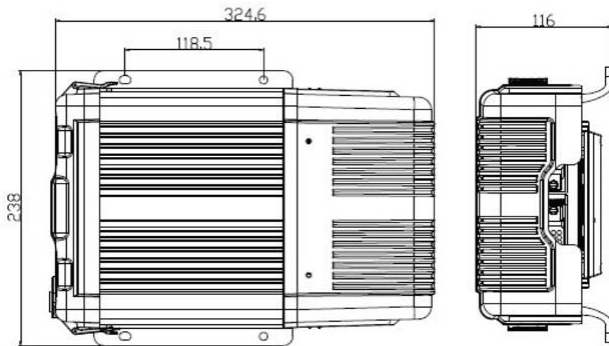


Key Features

- Support 16CH WD1 + 8CH 720P IP Camera
- Modular design for easy maintenance
- Anti-vibration design for 360 degree installation
- Support 2.5" HDD storage and SD card for mirror recording
- Triple stream technology
- Built-in GPS for location tracking
- Built-in 3G/4G for live view and remote management
- Built-in WIFI for video files and alarm files download
- 24-hour single-file recording mode

Dimensions

(unit: mm)



Optional Accessories



Technical Specifications

Product series	MVR-624	
Overview	Preview, Record, Playback, Network, Locate	
System	OS	Linux 3.0.8
Video	Control Mode	Mouse, Network, Easy Check, CP4
	Input	16 channels WD1 + 8 channels 720P IPC
	Output	3 channels
	Total Resource	400/480fps @ WD1 + 240fps @ 720P
Audio	Video Signal Standard	Electrical level: 1Vpp Impedance : 75Ω NTSC/PAL Optional
	Input	24 channels (incl. IPC x 8)
	Output	3 channels
	Audio Signal Standard	Electrical level: 2Vpp Input impedance: 4.7kΩ
Display	Display Split	1/4/9
	OSD Operation	Locate, alarm, vehicle number, speed, date/time Graphical User Interface
	Recording	Video: H.264 Compression: Audio:ADPCM, G.711U, G.711A
Image Resolution	Image Resolution	Analog: PAL:WD1(928x576),WHD1(928x288),WCIF(464x288), D1(704x576),HD1(704x288), CIF(352x288) NTSC:WD1(928x480),WHD1(928x240),WCIF(464x240), D1(704x480),HD1(704x240), CIF(352x240) Digital:720P(1280x720)
	Image Quality	1~8 levels adjustable (1 is the best)
	Record Mode	Boot up/Manual/schedule/Alarm (sensor trigger, speed, acceleration, video loss, alarm button)
	Pre-recording	0 ~ 60 minutes
Post-recording	0 ~ 30 minutes	
	Mirror Record	Yes
Playback	Playback	1/4 channels by local playback
	Search Mode	Date/time, channel, event
Network	Ethernet	RJ45 port (1000M) x2
	WIFI	802.11b/g/n (optional)
	3G/4G	EVDO/WCDMA/TDD-LTE/FDD-LTE
Locating	GPS	location tracking, speed detection and sync time
Storage	Hard Disk	2.5" SATA HDD x 2
Interface	USB	USB 2.0 x 2 (at front and rear panel each)
	SD	SD x 1
	Sensor	8 inputs, 2 outputs
	Serial	Serial port (DB26) x 1, 3Pin debugging serial port x 1
	Speed	1 channel pulse speed detection
	Panel	CP4 (The multi-functional panel) optional
	Electrical	Input
Output	Current	12V@1A, 5V@1A
	Impulse current	input 13.5V@10A
	Working current	input 13.5V@5A input 27V@2.5A ; Standby current: 0A
Mechanical	Dimension	324.6 x 238 x 116mm / 12.78" x 9.37" x 4.56"
	Weight	4.2kg / 9.26lbs
Environmental	Temperature & Humidity	-40°C~70°C / -40°F~158°F (with heater) -10°C~70°C / -14°F~158°F @ RH 8%~90%
PC Software		VMS II
Certifications	EU / USA	CE, FCC, MIL-STD-810F